



2022
**EXPRESS
CUTAWAY**

Cut out for any upfit.

If you need additional flexibility and capacity over a traditional van and still want ease and convenience for the operator, check out Express Cutaway. The full-frame design can handle a wide variety of upfits; including service/utility, cube body or shuttle bus. Its robust construction is strong, versatile and proven. The perimeter frame provides a stable platform for a confident driving experience and many years of durability. Express Cutaway is cut out to be the right choice for whatever you have in mind.



Utility truck upfits are available in multiple configurations from independent upfitters!

INTRODUCING EXPRESS CUTAWAY

Express Cutaway at a glance.

- Standard 4.3L V6 engine with 276 horsepower and 298 lb.-ft. of torque
- Available 6.6L V8 gas engine with 401 horsepower and 464 lb.-ft. of torque and heavy-duty 6-speed automatic transmission
- Available GVWR up to 14,200 lbs¹
- Full ladder-type frame design for strength and durability
- Up to three different available wheelbase lengths – 139", 159" and 177"
- Available locking rear differential
- StabiliTrak[®] Electronic Stability Control System
- Hill Start Assist
- 4-wheel antilock disc brakes



Utility truck upfits are available in multiple configurations from independent upfitters²



Express Cutaway is available in three different vehicle lengths for shuttle bus upfits²

¹ Express 4500 Cutaway. Maximum Gross Vehicle Weight Rating (GVWR). When properly equipped; includes weight of vehicle, passengers, cargo and equipment. ² Shown with upfit from an independent supplier. Equipment from independent suppliers is not covered by the GM New Vehicle Limited Warranty. GM is not responsible for the safety or quality of independent supplier alterations.

MODEL AVAILABILITY

EXPRESS 3500 CUTAWAY



WHEELBASE (IN.)	STANDARD ENGINE	AVAILABLE ENGINE	REAR WHEEL CONFIGURATION	GROSS VEHICLE WEIGHT RATING (GVWR) (LBS.) ¹	GROSS COMBINATION WEIGHT RATING (GCWR) (LBS.) ²	MAX PAYLOAD RATING (LBS.) ³
139	4.3L V6	6.6L V8 gas	SRW ⁴	9,900	15,000 ⁵	5,360 ⁶
139	–	6.6L V8 gas ⁷	SRW	10,100	16,000	5,340
139	–	6.6L V8 gas ⁸	DRW ⁹	12,300	16,000	7,150
159	6.6L V8 gas	–	SRW	9,900	16,000	5,070
159	6.6L V8 gas	–	SRW	10,100	16,000	5,280
177	6.6L V8 gas	–	DRW	12,300	20,000	7,050
177	6.6L V8 gas	–	DRW	14,200	20,000	8,870

EXPRESS 4500 CUTAWAY



WHEELBASE (IN.)	STANDARD ENGINE	AVAILABLE ENGINE	REAR WHEEL CONFIGURATION	GROSS VEHICLE WEIGHT RATING (GVWR) (LBS.) ¹	GROSS COMBINATION WEIGHT RATING (GCWR) (LBS.) ²	MAX PAYLOAD RATING (LBS.) ³
159	6.6L V8 gas	–	DRW	14,200	20,000	8,920
177	6.6L V8 gas	–	DRW	14,200	20,000	8,870

¹ Maximum Gross Vehicle Weight Rating (GVWR). When properly equipped; includes weight of vehicle, passengers, cargo and equipment. ² Gross Combination Weight Rating (GCWR). When properly equipped; includes weight of the vehicle, including the weight of driver, passengers, fuel, optional equipment and cargo in the vehicle. ³ These maximum payload ratings are intended for comparison purposes only. Before you buy a vehicle or use it to haul people or cargo, carefully review the Vehicle Loading section of the Owner's Manual and check the carrying capacity of your specific vehicle on the label on the inside of the driver door jamb. ⁴ SRW – single rear wheels. ⁵ With standard 4.3L V6 engine; 16,000 lbs. with available 6.6L V8 gas engine. ⁶ With standard 4.3L V6 engine; 5,130 lbs. with available 6.6L V8 gas engine. ⁷ Required with available 10,100-lb. GVWR. ⁸ Required with available 12,300-lb. GVWR. ⁹ DRW – dual rear wheels.

COLORS

EXTERIOR COLORS



Summit White



Silver Ice Metallic



Red Hot



Black

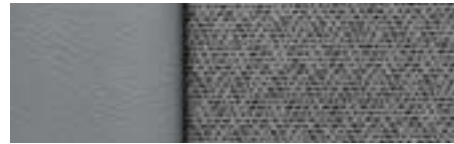
INTERIOR COLORS



Medium Pewter Vinyl



Neutral Vinyl¹



Medium Pewter Custom Cloth



Neutral Custom Cloth¹

¹ Not available with Silver Ice Metallic exterior color.

STANDARD EQUIPMENT

Standard on every Express Cutaway:

MECHANICAL

Alternator – 105 amps

Battery – 600 cold-cranking amps (CCA) with rundown protection and retained accessory power

Brakes – 4-wheel antilock, 4-wheel disc

Cooling – external engine oil cooler (4.3L V6 and 6.6L V8 gas engine)

Engine – 4.3L V6 with Variable Valve Timing (VVT) and Direct Injection
– Oil Life Monitoring System

Exhaust – aluminized stainless steel muffler and tailpipe

Frame – full-length box, ladder-type

StabiliTrak – Electronic Stability Control System with traction assistance; includes Hill Start Assist

Steering – integral power

Suspension – front independent with coil springs; rear with multi-leaf springs

Transmission – 8-speed automatic, electronically controlled with overdrive, Driver Shift Control and Tow/Haul mode; includes cruise grade braking and powertrain grade braking

EXTERIOR

Bumpers – front, Black with step pad

Daytime running lamps

Flasher – heavy-duty, LED

Glass – Solar-Ray® light-tinted, all windows

Headlamps – dual halogen with automatic on/off with automatic delay

Mirrors – delete

Tires – LT245/75R16E all-season

Wheel configuration – single rear wheels (SRW)

Wheels – 16" Gray-painted steel with Gray center caps

Wipers – front intermittent wet-arm with pulse washers

INTERIOR

Airbags¹ – frontal for driver and right-front passenger; seat-mounted side-impact for driver and right-front passenger; roof-rail mounted head-curtain provide coverage for outboard seating positions; includes frontal passenger airbag deactivation switch

Air conditioning – single-zone

Assist handles – driver and front passenger

Audio system – AM/FM stereo with MP3 player, seek-scan, digital clock, TheftLock, random select, auxiliary input jack and two front door speakers

Console – engine cover with open storage bin and three cup holders

Defogger – side windows

Driver Information Center – with fuel range, average speed, oil life, tire pressure monitoring, fuel used, ice warning, engine hours, average fuel economy, tachometer and maintenance reminders

Floor covering – Black rubberized-vinyl, front only

Instrument cluster – with speedometer, fuel level, engine temperature, voltage and oil pressure

Lighting – overhead dome lamp and door handle-activated switches

Mirror – rearview; includes Rear Vision Camera² display

Power outlet – 120-volt
– two 12-volt auxiliary on engine console cover

Rear Vision Camera² – integrated in rearview mirror (camera and cable shipped loose)

Seats – driver and front passenger high-back bucket with head restraints and inboard armrests, vinyl trim

Theft-deterrent system – PASS-Key® III

Tire Pressure Monitoring System (does not monitor spare tire)

Available Wi-Fi® Hotspot³ for up to seven devices, includes 1 month of unlimited data

Chevrolet Connected Access⁴ with up to 10 years of standard connectivity, which currently enables features such as Vehicle Diagnostics and Dealer Maintenance Notification

OnStar® – up to 3 months of OnStar Safety & Security coverage⁵

¹ A NOTE ON CHILD SAFETY: Always use seat belts and the correct child restraint for your child's age and size, even with airbags. Even in vehicles equipped with the Passenger Sensing System, children are safer when properly secured in a rear seat in the appropriate infant, child or booster seat. Never place a rear-facing infant restraint in the front seat of any vehicle equipped with an active frontal airbag. See your vehicle Owner's Manual and the child safety seat instructions for more safety information.

² Safety or driver assistance features are no substitute for the driver's responsibility to operate the vehicle in a safe manner. Read the vehicle Owner's Manual for important feature limitations and information. ³ Service varies with conditions and location.

Requires active service and paid AT&T data plan. Visit onstar.com for details and limitations. Availability subject to change. ⁴ Standard connectivity available only to original purchaser for up to 10 years. Connected Access services are subject to change.

Does not include emergency or security services. Diagnostic capabilities vary by model and service plan. Message and data rates may apply. Requires contact method on file and enrollment to receive alerts. Not all issues will deliver alerts. Visit onstar.com for details and limitations. ⁵ When you select a monthly plan within 30 days of activating your 1-month trial, you'll receive the next 2 months of the plan you select at no additional charge when you associate an approved payment method on file to your account and authorize recurring payments for your service plan. The amount and frequency of each recurring payment is based upon the service(s) and payment interval(s) you select from the options provided. After the trial expires, OnStar will automatically bill your payment method monthly at then-current standard monthly rates. Plans containing 4G LTE data will be billed every 30 days by AT&T. You may cancel at any time by pushing your blue OnStar button or calling 1-888-466-7827. May not be combined with other offers or retroactively applied. Offer subject to change.

SPECIFICATIONS

● STANDARD ○ AVAILABLE – NOT AVAILABLE

	3500 – 139" WB	3500 – 159" WB	3500 – 177" WB	4500 – 159" WB	4500 – 177" WB
SAFETY AND DRIVER ASSISTANCE					
Airbags ¹ – frontal airbags for driver and right-front passenger; includes frontal passenger airbag deactivation switch	●	●	●	●	●
– seat-mounted side-impact for driver and right-front passenger and roof-rail mounted head-curtain for front-row coverage with driver and right-front passenger high-back bucket seats or available driver-only high-back bucket seat (included with 9,900-lb. GVWR; available with 10,100-lb. GVWR, 12,300-lb. GVWR and 14,200-lb. GVWR)	●	●	○	○	○
– frontal airbag ¹ for driver only (requires available driver-only high-back bucket seat)	○	○	○	○	○
Forward Collision Alert ² – includes Lane Departure Warning ² (requires available Rear Vision Camera ² on 3500 177" Wheelbase, 4500 159" Wheelbase and 4500 177" Wheelbase)	○	○	○	○	○
Lane Departure Warning ² (requires available Forward Collision Alert ²)	○	○	○	○	○
Rear Vision Camera ² – integrated in rearview mirror (camera and cable shipped loose)	●	●	○	○	○
Theft alarm notification (requires available OnStar ³ and Remote Keyless Entry)	○	○	○	○	○
Theft-deterrent system – PASS-Key III	●	●	●	●	●
Tire Pressure Monitoring System (does not monitor spare tire) (requires 9,900-lb. GVWR)	●	●	–	–	–
Up to 3 months of OnStar Safety & Security coverage ³	●	●	●	●	●
OnStar delete	○	○	○	○	○
MECHANICAL					
Alternator – 105 amps	●	●	●	●	●
– 220 amps	○	○	○	○	○
Battery – with rundown protection and retained accessory power	●	●	●	●	●
– 600 cold-cranking amps (CCA)	●	●	●	●	●
– heavy-duty, 770 cold-cranking amps (CCA)	○	○	○	○	○
– dual, heavy-duty, 770 cold-cranking amps (CCA) primary and isolated 770 cold-cranking amps (CCA) secondary	○	○	○	○	○
Body – soft-mounted donut and bolt; for mounting upfit body to chassis	○	○	○	○	○
Brakes – 4-wheel antilock, 4-wheel disc	●	●	●	●	●
– brake warning indicator	○	○	○	○	○
Cooling – external engine oil cooler (4.3L V6 and 6.6L V8 gas engine)	●	●	●	●	●
Differential – heavy-duty, locking rear	○	○	○	○	○
Exhaust – aluminized stainless steel muffler and tailpipe	●	●	●	●	●
Frame – full-length box, ladder-type	●	●	●	●	●

	3500 – 139" WB	3500 – 159" WB	3500 – 177" WB	4500 – 159" WB	4500 – 177" WB
MECHANICAL (CONTINUED)					
Engine – 4.3L V6 with Variable Valve Timing (VVT) and Direct Injection; 276 hp @ 5200 rpm, 298 lb.-ft. of torque @ 3900 rpm	●	–	–	–	–
– 6.6L V8 gas with Variable Valve Timing (VVT) and Direct Injection; 401 hp @ 5200 rpm, 464 lb.-ft. of torque @ 4000 rpm (requires heavy-duty 6-speed automatic transmission)	○	●	●	●	●
– engine block heater (requires available Cold Climate Package)	○	○	○	○	○
– Oil Life Monitoring System	●	●	●	●	●
Fuel tank – auxiliary feed in tank (requires available 6.6L V8 gas engine on 3500 139" Wheelbase)	○	○	○	○	○
– 32 gal. mid-frame mounted	●	●	●	●	●
– 57 gal.; includes auxiliary feed in tank and in-tank return line (requires available 12,300-lb. GVWR on 3500 159" Wheelbase)	–	○	○	○	○
GVWR – 9,900-lb.; includes single rear wheels (SRW)	●	●	–	–	–
– 10,100-lb.; includes single rear wheels (SRW) (requires available 6.6L V8 gas engine on 3500 139" Wheelbase)	○	○	–	–	–
– 12,300-lb.; includes dual rear wheels (DRW) (requires available 6.6L V8 gas engine on 3500 139" Wheelbase)	○	○	●	–	–
– 14,200-lb.; includes dual rear wheels (DRW)	–	–	–	●	●
High idle switch (requires available 6.6L V8 gas engine and Driver Convenience Package or cruise control on 3500 139" Wheelbase; requires available Driver Convenience Package or cruise control on all other models)	○	○	○	○	○
Rear axle – 3.42:1 ratio	●	●	–	–	–
– 3.73:1 ratio (requires available dual rear wheels [DRW])	○	○	●	–	–
– 4.10:1 ratio (requires available Enhanced Towing Performance Package on 3500 159" Wheelbase and 3500 177" Wheelbase)	–	○	○	●	●
StabiliTrak – Electronic Stability Control System and traction assistance; includes Electronic Trailer Sway Control and Hill Start Assist	●	●	●	●	●
Steering – integral power	●	●	●	●	●
Suspension – front independent with coil springs; rear with multi-leaf springs	●	●	●	●	●
Trailer provisions – trailer wire harness only	○	○	–	○	–
Transmission – 8-speed automatic, electronically controlled with overdrive, Driver Shift Control and Tow/Haul mode; includes cruise grade braking and powertrain grade braking	●	–	–	–	–
– heavy-duty 6-speed automatic, electronically controlled with overdrive, Driver Shift Control and Tow/Haul mode; includes cruise grade braking and powertrain grade braking (requires available 6.6L V8 gas engine on 3500 139" Wheelbase)	○	○	○	○	○

¹ A NOTE ON CHILD SAFETY: Always use seat belts and the correct child restraint for your child's age and size, even with airbags. Even in vehicles equipped with the Passenger Sensing System, children are safer when properly secured in a rear seat in the appropriate infant, child or booster seat. Never place a rear-facing infant restraint in the front seat of any vehicle equipped with an active frontal airbag. See your vehicle Owner's Manual and the child safety seat instructions for more safety information.

² Safety or driver assistance features are no substitute for the driver's responsibility to operate the vehicle in a safe manner. Read the vehicle Owner's Manual for important feature limitations and information. ³ When you select a monthly plan within 30 days of activating your 1-month trial, you'll receive the next 2 months of the plan you select at no additional charge when you associate an approved payment method on file to your account and authorize recurring payments for your service plan. The amount and frequency of each recurring payment is based upon the service(s) and payment interval(s) you select from the options provided. After the trial expires, OnStar will automatically bill your payment method monthly at then-current standard monthly rates. Plans containing 4G LTE data will be billed every 30 days by AT&T. You may cancel at any time by pushing your blue OnStar button or calling 1-888-466-7827. May not be combined with other offers or retroactively applied. Offer subject to change.

SPECIFICATIONS (CONTINUED)

● STANDARD ○ AVAILABLE – NOT AVAILABLE

	3500 – 139" WB	3500 – 159" WB	3500 – 177" WB	4500 – 159" WB	4500 – 177" WB
EXTERIOR					
Antenna equipment – additional antenna, 25-ft. cable and ground plate; provides additional ability to relocate standard OnStar antenna (requires available OnStar ¹)	○	○	○	○	○
Bumper – Black, front with step pad	●	●	●	●	●
– chrome, front with step pad	○	○	○	○	○
Circuits – stop and turn signal, body control module calibration allows separate operation	○	○	○	○	○
Daytime running lamps	●	●	●	●	●
Flasher – heavy-duty, LED	●	●	●	●	●
Glass – Solar-Ray light-tinted, all windows	●	●	●	●	●
Grille – Black center bar	●	●	●	●	●
– chrome center bar (requires available Chrome Appearance Package)	○	○	○	○	○
Headlamps – dual halogen with automatic on/off with automatic delay	●	●	●	●	●
Horn – dual-note	○	○	○	○	○
Mirrors – delete	●	●	●	●	●
– heated, power-adjustable, manual-folding, dual pane, Black (requires 9,900-lb. GVWR, single rear wheels [SRW] and Power Convenience Package)	○	○	–	–	–
– Velvac wide-stance, convex combination rearview mirrors, sail panel-mounted, for bodies up to 96" in width; mirrors are shipped loose in vehicle	○	○	○	○	○
Tire – full-size spare, LT245/75R16E all-season (requires LT245/75R16E all-season tires and SRW)	○	○	–	–	–
– full-size spare, LT225/75R16E all-season (requires LT225/75R16E all-season tires and DRW)	○	○	○	○	○
Tires – LT245/75R16E all-season (requires SRW)	●	●	–	–	–
– LT225/75R16E all-season (requires DRW)	○	○	●	●	●
Wheel configuration – single rear wheels (SRW)	●	●	–	–	–
– dual rear wheels (DRW) (requires available 12,300-lb. GVWR on 3500 139" Wheelbase and 3500 159" Wheelbase)	○	○	●	●	●
Wheels – 16" Gray-painted steel with Gray center caps (QB5) (requires SRW)	●	●	–	–	–
– 16" Gray-painted steel with Gray center caps (QT4) (requires DRW)	○	○	●	●	●
– 16" White-painted steel with Gray center caps (40P) (requires SRW)	○	○	–	–	–
– 16" White-painted steel with Gray center caps (40P) (requires DRW)	○	○	○	○	○
Wipers – front intermittent wet-arm with pulse washers	●	●	●	●	●

	3500 – 139" WB	3500 – 159" WB	3500 – 177" WB	4500 – 159" WB	4500 – 177" WB
INTERIOR					
Air conditioning – single-zone	●	●	●	●	●
– rear; rear auxiliary heater provisions	○	○	○	○	○
Assist handles – driver and front passenger	●	●	●	●	●
Console – engine cover with open storage bin and three cup holders	●	●	●	●	●
– engine cover with swing-out storage bin	○	○	○	○	○
Cruise control – electronic with Set and Resume Speed, steering wheel-mounted (requires available Driver Convenience Package, Ambulance Package or high idle switch on 3500 139" Wheelbase, 3500 159" Wheelbase and 4500 159" Wheelbase; requires available Driver Convenience Package or high idle switch on 3500 177" Wheelbase and 4500 177" Wheelbase)	○	○	○	○	○
Defogger – front and side windows	●	●	●	●	●
Door locks – power with lockout protection (requires available Power Convenience Package)	○	○	○	○	○
Driver Information Center – with fuel range, average speed, oil life, tire pressure monitoring, fuel used, ice warning, engine hours, average fuel economy, tachometer and maintenance reminders	●	●	●	●	●
Floor covering – Black rubberized-vinyl, front only	●	●	●	●	●
Instrument cluster – with speedometer, fuel level, engine temperature, voltage and oil pressure	●	●	●	●	●
Lighting – overhead dome lamp and door handle-activated switches	●	●	●	●	●
Mirror – rearview, manual day/night	○	○	●	●	●
– rearview; includes Rear Vision Camera ² display (requires available Rear Vision Camera ² on 3500 177" Wheelbase, 4500 159" Wheelbase and 4500 177" Wheelbase)	●	●	○	○	○
Power outlet – 120-volt	●	●	●	●	●
– two 12-volt auxiliary on engine console cover	●	●	●	●	●
Remote Keyless Entry (requires available Power Convenience Package)	○	○	○	○	○
Remote vehicle starter system (requires available Remote Keyless Entry)	○	○	○	○	○
Steering column – manual tilt-wheel (requires available Driver Convenience Package)	○	○	○	○	○
Steering wheel – leather-wrapped (requires available Driver Convenience Package)	○	○	○	○	○
– mounted audio, cruise and phone controls (requires available leather-wrapped steering wheel and Driver Convenience Package)	○	○	○	○	○
Visors – driver and front passenger, cloth	●	●	●	●	●
– driver and front passenger, vinyl	○	○	○	○	○
Windows – power with driver express-up/-down (requires available Power Convenience Package)	○	○	○	○	○

¹ When you select a monthly plan within 30 days of activating your 1-month trial, you'll receive the next 2 months of the plan you select at no additional charge when you associate an approved payment method on file to your account and authorize recurring payments for your service plan. The amount and frequency of each recurring payment is based upon the service(s) and payment interval(s) you select from the options provided. After the trial expires, OnStar will automatically bill your payment method monthly at then-current standard monthly rates. Plans containing 4G LTE data will be billed every 30 days by AT&T. You may cancel at any time by pushing your blue OnStar button or calling 1-888-466-7827. May not be combined with other offers or retroactively applied. Offer subject to change. ² Safety or driver assistance features are no substitute for the driver's responsibility to operate the vehicle in a safe manner. Read the vehicle Owner's Manual for important feature limitations and information.

SPECIFICATIONS (CONTINUED)

● STANDARD ○ AVAILABLE – NOT AVAILABLE

	3500 – 139" WB	3500 – 159" WB	3500 – 177" WB	4500 – 159" WB	4500 – 177" WB
SEATING					
Seats – driver and front passenger high-back bucket with head restraints and inboard armrests, vinyl trim	●	●	●	●	●
– driver and front passenger high-back bucket, Custom Cloth trim; includes engine console cover with swing-out storage bin	○	○	○	○	○
– driver-only high-back bucket seat; includes frontal airbag ¹ for driver only	○	○	○	○	○
– driver and passenger high-back bucket seat delete; provides driver and passenger seat risers with adjusters and seat belts, and temporary seat for transportation to the upfitter	○	○	○	○	○
Seat – driver 6-way power adjuster upfitter option; riser only; does not include seat (requires front high-back bucket seats with Custom Cloth)	○	○	○	○	○
– front passenger 6-way power adjuster upfitter option; riser only; does not include seat (requires driver 6-way power seat adjuster and front high-back bucket seats with Custom Cloth)	○	○	○	○	○

	3500 – 139" WB	3500 – 159" WB	3500 – 177" WB	4500 – 159" WB	4500 – 177" WB
ENTERTAINMENT					
Audio – AM/FM stereo with MP3 playback capability, seek-scan, digital clock, auxiliary input jack, TheftLock, random select and two front door speakers	●	●	●	●	●
– AM/FM stereo with MP3 playback capability and USB port ² ; seek-scan, digital clock, auxiliary input jack, TheftLock, random select and two front door speakers; includes SiriusXM ³ 3-month trial subscription	○	○	○	○	○
– radio provisions only, includes alarm warning chimes, radio wiring harness, radio antenna and two front door speakers	○	○	○	○	○
Bluetooth ⁴ audio streaming ⁴ for select phones (requires available leather-wrapped steering wheel with mounted audio, cruise and phone controls and Driver Convenience Package)	○	○	○	○	○
SiriusXM ³ – 3-month trial subscription (requires available AM/FM stereo with MP3 playback capability and USB port ²)	○	○	○	○	○
Wiring junction block – equipment accessory includes two 30-amp circuits (requires available 150-amp or 220-amp alternator, and dual heavy-duty 770 cold-cranking amps [CCA] primary and isolated secondary batteries)	○	○	○	○	○
Available Wi-Fi ⁵ Hotspot ⁵ for up to seven devices, includes 1 month of unlimited data	●	●	●	●	●
Chevrolet Connected Access ⁶ with up to 10 years of standard connectivity, which currently enables features such as Vehicle Diagnostics and Dealer Maintenance Notification	●	●	●	●	●

¹ A NOTE ON CHILD SAFETY: Always use seat belts and the correct child restraint for your child's age and size, even with airbags. Even in vehicles equipped with the Passenger Sensing System, children are safer when properly secured in a rear seat in the appropriate infant, child or booster seat. Never place a rear-facing infant restraint in the front seat of any vehicle equipped with an active frontal airbag. See your vehicle Owner's Manual and the child safety seat instructions for more safety information.
² Not compatible with all devices. ³ If you decide to continue service after your trial, your selected subscription plan will automatically renew thereafter. You will be charged at then-current rates. Fees and taxes apply. To cancel you must call SiriusXM at 1-866-635-2349. See SiriusXM Customer Agreement for complete terms at siriusxm.com. All fees and programming subject to change. ⁴ Go to my.chevrolet.com/learnAbout/bluetooth to find out which phones are compatible with the vehicle. Full Bluetooth feature functionality varies by device, model and software version. ⁵ Service varies with conditions and location. Requires active service and paid AT&T data plan. Visit onstar.com for details and limitations. Availability subject to change. ⁶ Standard connectivity available only to original purchaser for up to 10 years. Connected Access services are subject to change. Does not include emergency or security services. Diagnostic capabilities vary by model and service plan. Message and data rates may apply. Requires contact method on file and enrollment to receive alerts. Not all issues will deliver alerts. Visit onstar.com for details and limitations.

AVAILABLE PACKAGES

● STANDARD ○ AVAILABLE – NOT AVAILABLE

	3500 – 139" WB	3500 – 159" WB	3500 – 177" WB	4500 – 159" WB	4500 – 177" WB
MECHANICAL					
Cold Climate Package	○	○	○	○	○
Engine block heater					
Enhanced Towing Performance Package	–	○	○	–	–
GCWR increased to 20,000 lbs. (requires available 12,300-lb. GVWR)					
EXTERIOR					
Chrome Appearance Package	○	○	○	○	○
Front chrome bumper and chrome center grille bar					
Ambulance Package	○	○	–	○	–
220-amp alternator, dual heavy-duty 770 cold-cranking amps (CCA) primary and isolated secondary batteries, wiring junction block equipment accessory, stop and turn signal circuits, high idle switch, cruise control, Chrome Appearance Package, dual-note horn, heavy-duty locking rear differential and HVAC system auxiliary provisions (requires available 6.6L gas V8 engine, 12,300-lb. GVWR and 3.73:1 axle ratio on 3500 139" Wheelbase; requires available 12,300-lb. GVWR and 3.73:1 axle ratio on 3500 159" Wheelbase; requires available 14,200-lb. GVWR and 4.10:1 axle ratio on 4500 159" Wheelbase)					
RV Package	○	○	○	○	–
220-amp alternator, dual heavy-duty 770 cold-cranking amps (CCA) primary and isolated secondary batteries, wiring junction block equipment accessory, Chrome Appearance Package, Driver Convenience Package, Power Convenience Package, Rear Vision Camera ¹ display mirror or day/night rearview mirror, engine console cover with swing-out storage bin and body soft-mounted donut and bolt (requires available 6.6L gas V8 engine, DRW and special equipment order brass tire valve stems on 3500 139" Wheelbase; requires available DRW and special equipment order brass tire valve stems on 3500 159" Wheelbase; requires available special equipment order brass tire valve stems on 3500 179" Wheelbase and 4500 159" Wheelbase)					

	3500 – 139" WB	3500 – 159" WB	3500 – 177" WB	4500 – 159" WB	4500 – 177" WB
EXTERIOR (CONTINUED)					
School Bus Package	○	○	–	○	○
220-amp alternator, dual heavy-duty 770 cold-cranking amps (CCA) primary and isolated secondary batteries, wiring junction block equipment accessory, stop and turn signal circuits, Rear Vision Camera ¹ display mirror or day/night rearview mirror, dual-note horn and HVAC system auxiliary provisions (requires available driver-only high-back bucket seat on 3500 139" Wheelbase, 4500 159" Wheelbase and 4500 177" Wheelbase; requires available 12,300-lb. GVWR and driver-only high-back bucket seat on 3500 159" Wheelbase)					
Shuttle Bus Package	○	○	–	○	○
220-amp alternator, dual heavy-duty 770 cold-cranking amps (CCA) primary and isolated secondary batteries, wiring junction block equipment accessory, stop and turn signal circuits, Chrome Appearance Package, Driver Convenience Package, body soft-mounted donut and bolt and HVAC system auxiliary provisions (requires available 6.6L gas V8 engine and 12,300-lb. GVWR on 3500 139" Wheelbase; requires available 12,300-lb. GVWR on 3500 159" Wheelbase)					
INTERIOR					
Driver Convenience Package	○	○	○	○	○
Manual tilt-wheel steering column and cruise control					
Power Convenience Package	○	○	○	○	○
Power door locks and power windows					

SPECIFICATIONS (CONTINUED)

MAXIMUM CAPACITIES

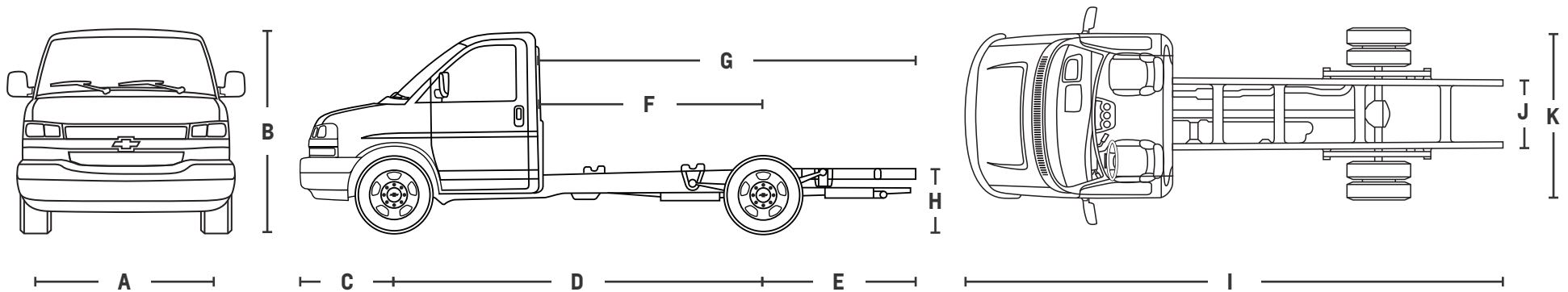
	3500 139" WB	3500 159" WB	3500 177" WB	4500 159" WB	4500 177" WB
Fuel tank (approximate)	32 gallons	32 gallons	32 gallons	32 gallons	32 gallons
Standard	–	57 gallons	57 gallons	57 gallons	57 gallons

DIMENSIONS (135" WHEELBASE/155" WHEELBASE/177" WHEELBASE)

	3500 139" WB	3500 159" WB	3500 177" WB	4500 159" WB	4500 177" WB
Head room (front)	40.9"	40.9"	40.9"	40.9"	40.9"
Leg room (front)	41.4"	41.4"	41.4"	41.4"	41.4"
Shoulder room (front)	68.9"	68.9"	68.9"	68.9"	68.9"
Hip room (front)	65.5"	65.5"	65.5"	65.5"	65.5"

DIMENSIONS (CONTINUED)

	3500 139" WB	3500 159" WB	3500 177" WB	4500 159" WB	4500 177" WB
A – Front track	67.6"	67.6"	67.6"	67.6"	67.6"
B – Height	83.9"	83.8"	83.5"	83.8"	83.5"
C – Front bumper to axle	39.7"	39.7"	39.7"	39.7"	39.7"
D – Wheelbase	139.0"	159.0"	177.0"	159.0"	177.0"
E – Rear bumper to axle	68.4"	68.4"	68.4"	68.4"	68.4"
F – Back of cab to axle	80.0"	100.0"	118.0"	100.0"	118.0"
G – Back of cab to end of frame	148.4"	168.4"	186.4"	168.4"	186.4"
H – Ground to top of frame	31.4"	30.1"	29.9"	30.1"	29.9"
I – Overall vehicle length	247.1"	267.1"	285.2"	267.1"	285.2"
J – Frame width	42.0"	42.0"	42.0"	42.0"	42.0"
K – Overall vehicle width	94.5"	94.5"	94.5"	94.5"	94.5"



Always ready for overtime.

You know what Chevrolet Commercial Vehicles call 9 to 5? A decent start. Our lineup is ready to make light work of a long week, led by the powerful and dependable Silverado 1500 and Silverado HD, plus Silverado 3500 HD Chassis Cab. And let's not forget the strength of medium-duty Silverado 4500 HD/5500 HD/6500 HD Chassis Cabs, the maneuverability of the Low Cab Forward series and the utility of Express Vans. It all adds up to an unbeatable crew that never stops working.



COMMERCIAL PROGRAMS

OnStar Business Solutions

OnStar Business Solutions is a family of products that offers insight to find efficiencies, foresight to make better decisions, and confidence in knowing your people and your assets are protected and connected. Learn more at onstar.com/BusinessSolutions.

Manage the way your business moves with OnStar Vehicle Insights™¹ by OnStar Business Solutions. You can see your fleet in real time and receive actionable information to make more informed decisions. Learn more at onstarvehicleinsights.com.

Business Choice

This program² can give you the best value on the vehicles you count on. Business Choice includes a cash allowance on either GM Accessories or Upfits³ and you can even add the most current retail offers to your deal. Learn more at chevrolet.com/business-choice-offers.

Business Elite Dealers

These specialized dealers provide the know-how to help you select the right vehicles for the job. Plus, every Business Elite service department has the facilities, tools and technicians for your needs. Learn more at chevrolet.com/commercial/business-elite.



¹ Terms apply. Available on select properly equipped 2015 model year and newer GM vehicles (excludes Volt, Low Cab Forward Trucks and GM vehicles built without OnStar Hardware, which includes but is not limited to select base Chevrolet and GMC trucks). Requires an active connected vehicle services plan. Fees, services, and availability subject to change without notice. Applicable taxes not included. Does not include emergency or security services. Diagnostics capabilities vary by vehicle model. Not all issues will deliver alerts. See onstarvehicleinsights.com for details and limitations. ² The 2022 Business Choice Program is valid from September 10, 2021, to January 2, 2023. Customer must purchase or lease their vehicle during the program period and be prepared to provide proof of business ownership. Vehicle must be used in the day-to-day operations of the business and not solely for transportation purposes. This program may not be compatible with other offers or incentive programs. Consult with your GM dealer for program compatibility and other restrictions. For complete program requirements, including information regarding offers, vehicles, equipment, options, warranties, and ordering, consult your GM dealer. To qualify, vehicle must be used in the day-to-day operations of your business and not solely for personal/non-business-related transportation purposes. Proof of business ownership may be required. Not available with some other offers. For complete program requirements, including information regarding offers, vehicles, equipment, options, warranties, and ordering, consult your GM dealer. Take delivery by January 2, 2023. See dealer for details. ³ Equipment from independent suppliers is not covered by the GM New Vehicle Limited Warranty. GM is not responsible for the safety or quality of independent supplier alterations.

IMPORTANT INFORMATION



Every step of the way.

You may be discovering Chevrolet through a personalized online shopping experience or enjoying every year of vehicle ownership. Either way, we're committed to providing the tools and programs you need to help you get the most out of your journey.

Chevy MyWay¹ >

Engage in a real-time virtual video experience with a Chevy product specialist.

Chevrolet Complete Care >

Enjoy an owner benefit program that provides excellent service and support from day one.

Limited Warranty Coverage >

Discover all the ways Chevrolet is committed to providing an excellent ownership experience.



GM, the GM logo, Chevrolet, the Chevrolet logo, and the slogans, emblems, vehicle model names, vehicle body designs and other marks appearing in this brochure are the trademarks and/or service marks of General Motors, its subsidiaries, affiliates or licensors. ©2021 OnStar LLC. All rights reserved. Sirius, XM, SiriusXM and all related marks and logos are trademarks of Sirius XM Radio Inc. The Bluetooth word mark is a registered trademark owned by Bluetooth SIG, Inc., and any use of such mark by Chevrolet is under license.

©2021 General Motors. All rights reserved. December 2021

FIND NEW ROADS™

CHEVROLET.COM

¹ Chevy MyWay is available to anyone over 18 in the United States to access and experience via chevrolet.com/myway.